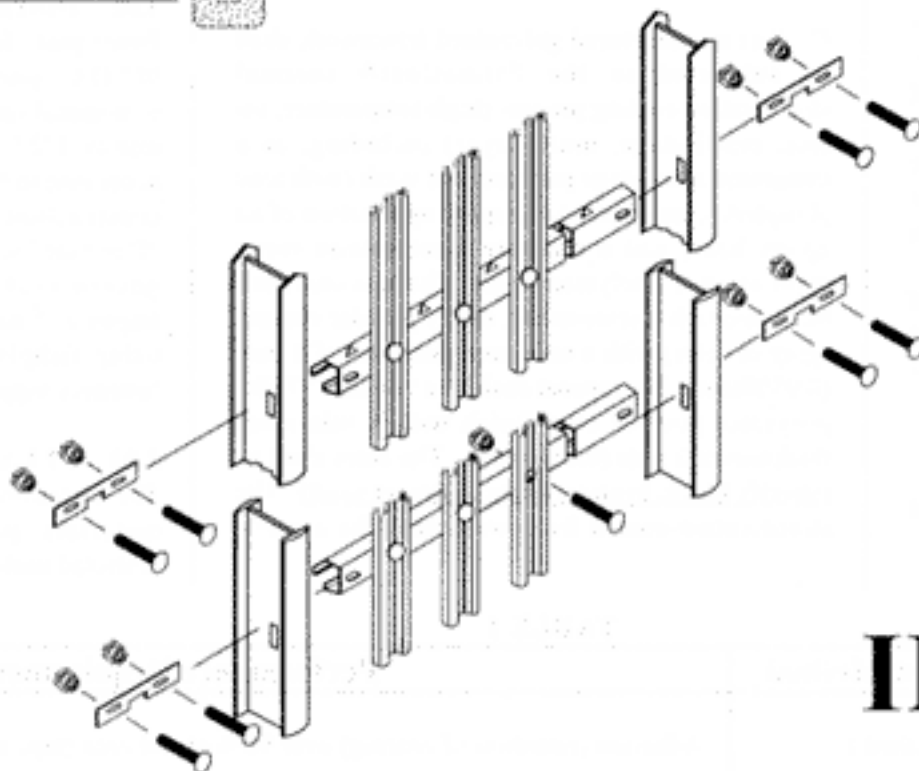
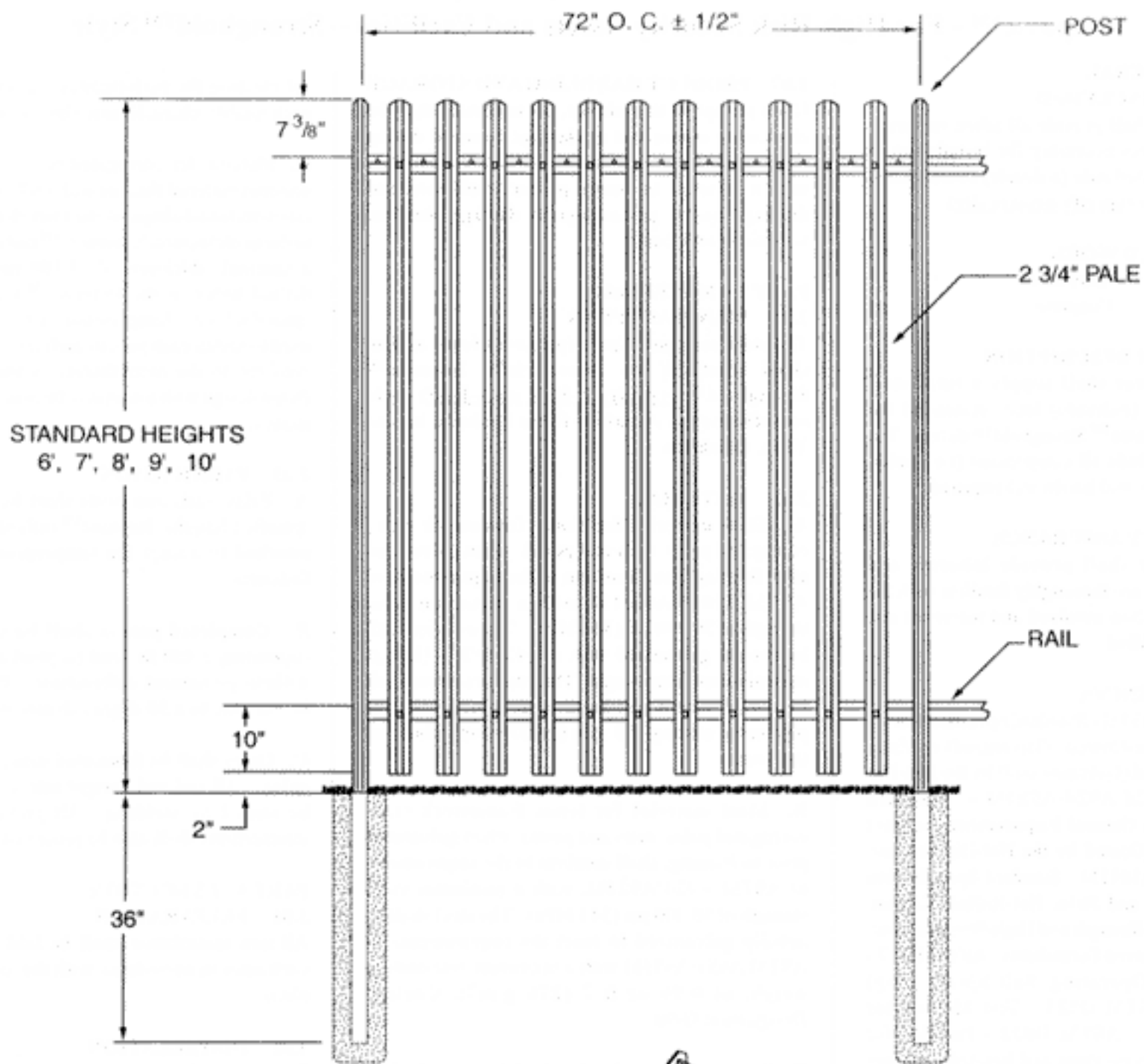


STRONGHOLD 2-RAIL PANEL, 6 FT. O.C.



IMPASSE™

STRONGHOLD™ 2-RAIL PANEL, 6 FT. O.C.

BY: SCN

PAGE: 1 OF 1

DATE: 12-13-02

ORDER:

SCALE: N.T.S.

CH: PJB

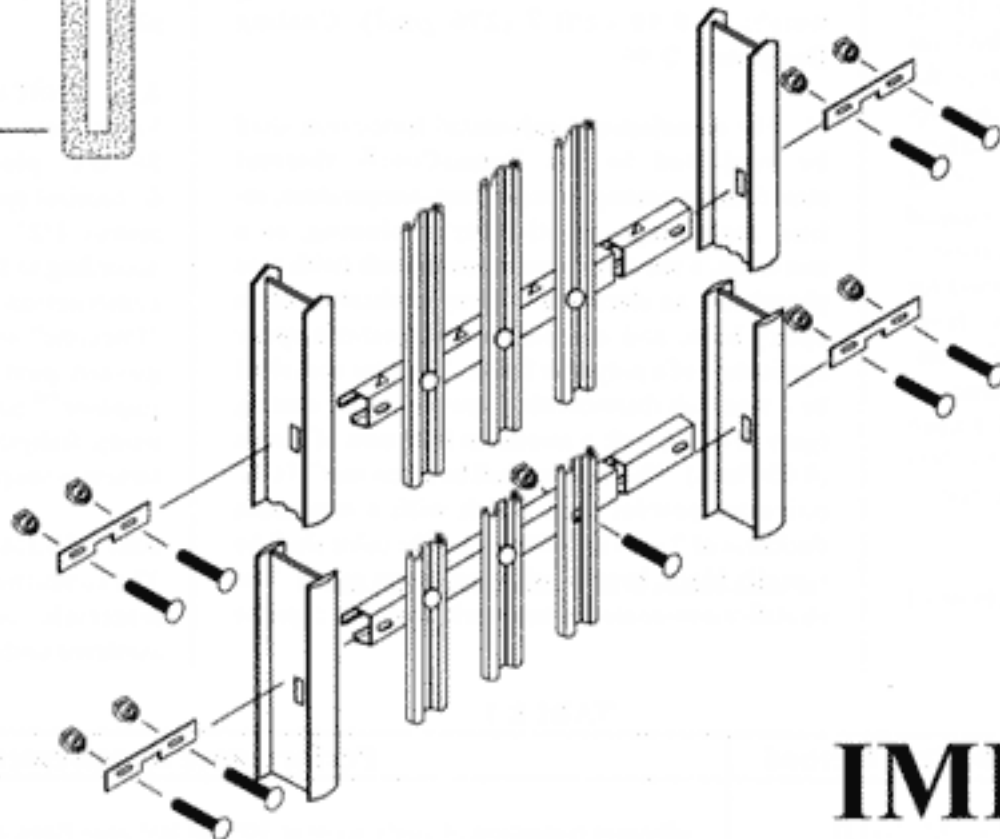
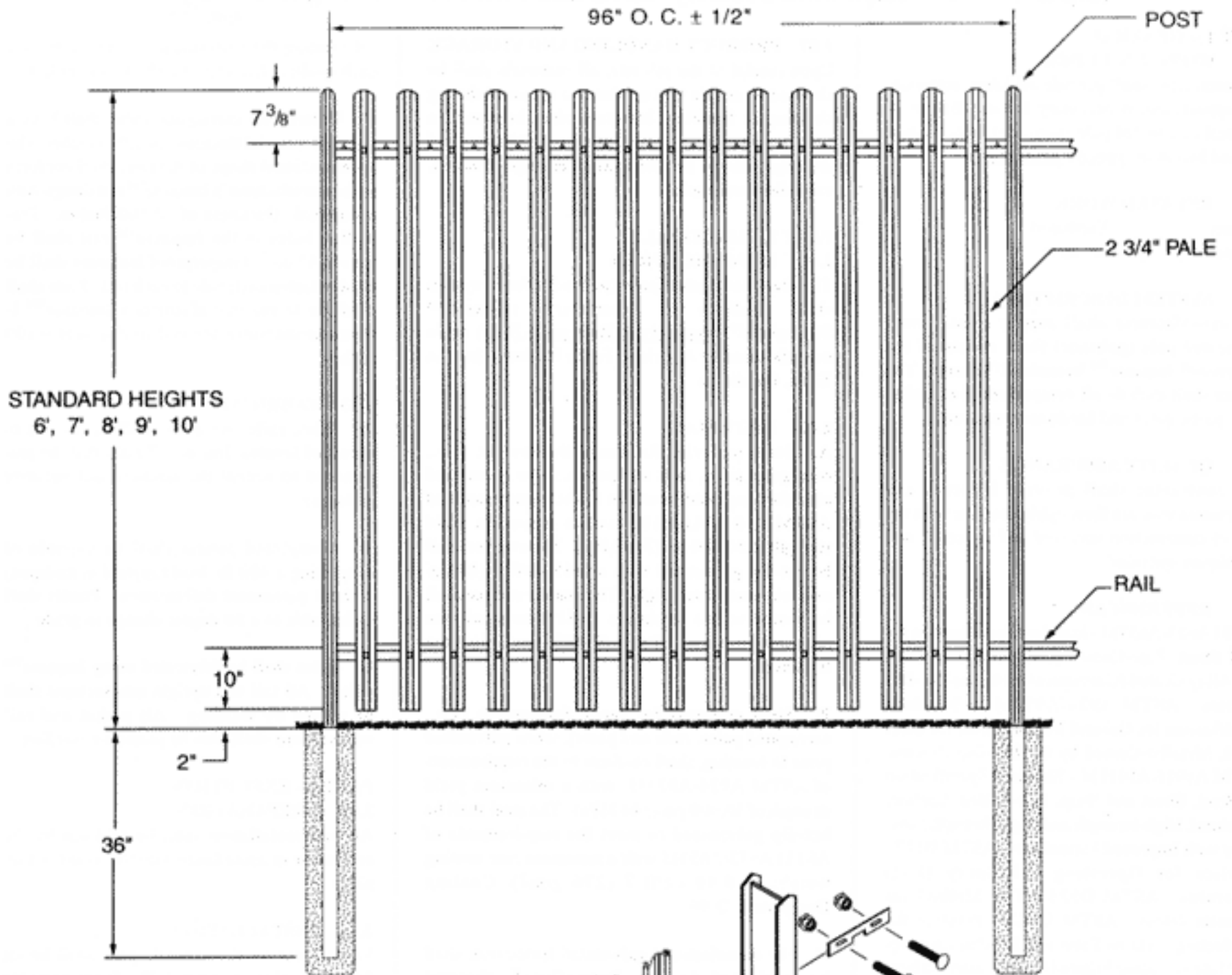


AMERISTAR®

1555 N. MINGO
TULSA, OK 74116
1-800-321-8724

www.ameristarfence.com

STRONGHOLD 2-RAIL PANEL, 8 FT. O.C.



IMPASSE™

STRONGHOLD™ 2-RAIL PANEL, 8 FT. O.C.

BY: SCN

PAGE: 1 OF 1

DATE: 12-13-02

ORDER:

SCALE: N.T.S.

CH: PJB



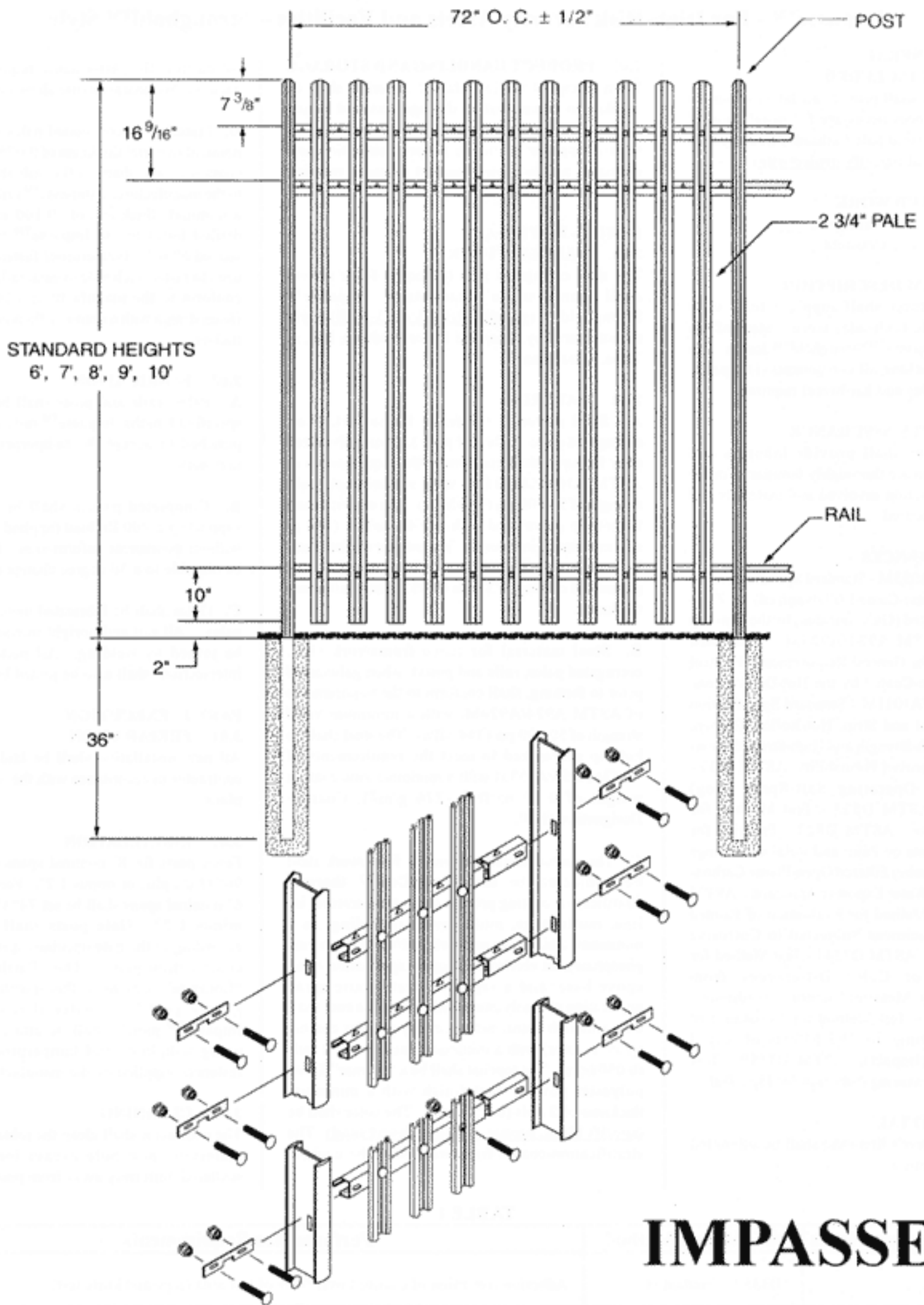
AMERISTAR®

1555 N. MINGO
TULSA, OK 74116

1-800-321-8724

www.ameristarfence.com

STRONGHOLD 3-RAIL PANEL, 6 FT. O.C.



IMPASSE™

STRONGHOLD™ 3-RAIL PANEL, 6 FT. O.C.

BY: SCN	PAGE: 1 OF 1	DATE: 12-13-02
ORDER:	SCALE: N.T.S.	CH: PJB

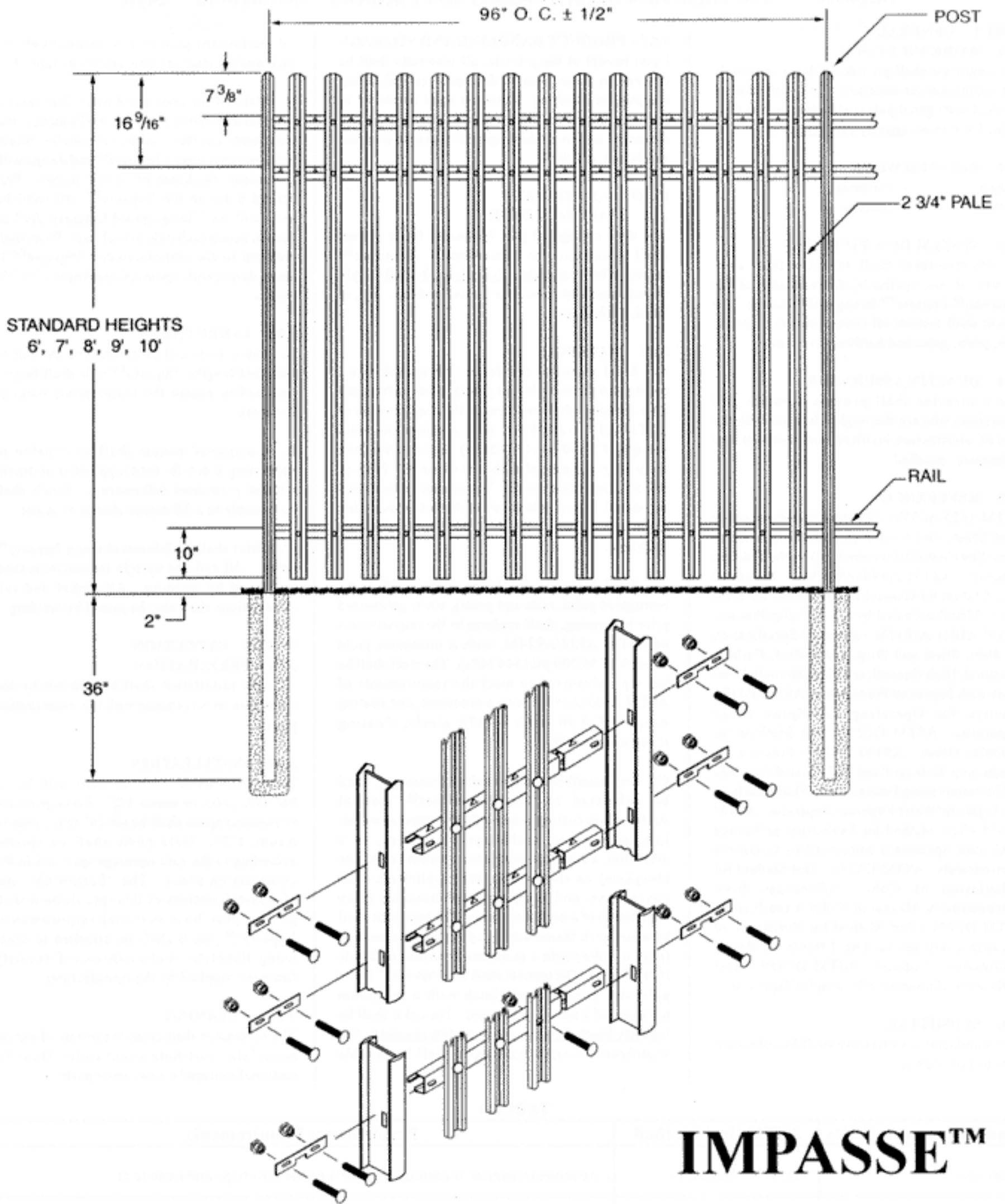


AMERISTAR®

1555 N. MINGO
TULSA, OK 74116
1-800-321-8724

www.ameristarfence.com

STRONGHOLD 3-RAIL PANEL, 8 FT. O.C.



IMPASSE™

STRONGHOLD™ 3-RAIL PANEL, 8 FT. O.C.

BY: **SCN**

PAGE: 1 OF 1

DATE: 12-13-02

ORDER:

SCALE: N.T.S.

CH: PJB



AMERISTAR®

1555 N. MINGO
TULSA, OK 74116
1-800-321-8724

www.ameristarfence.com