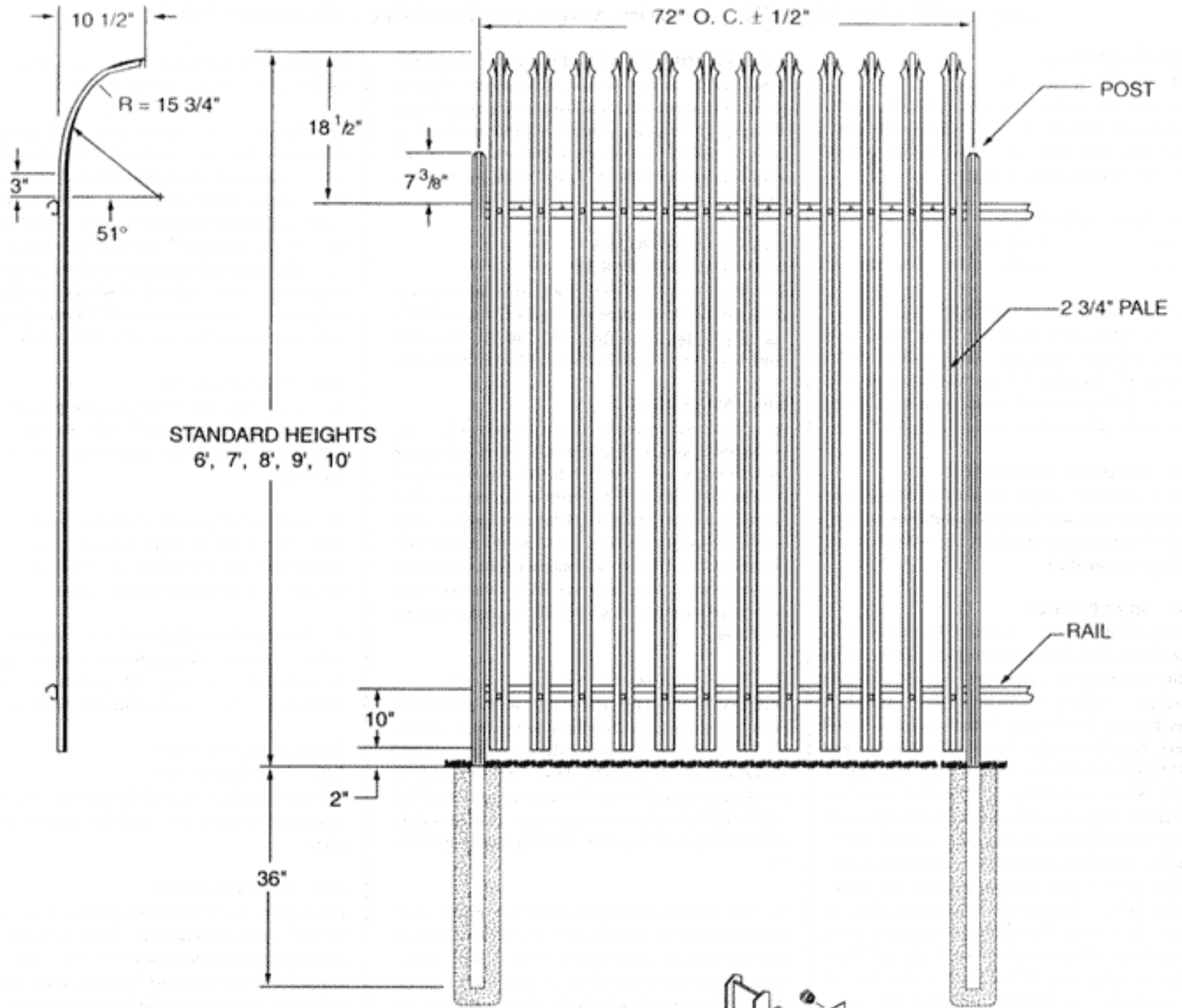
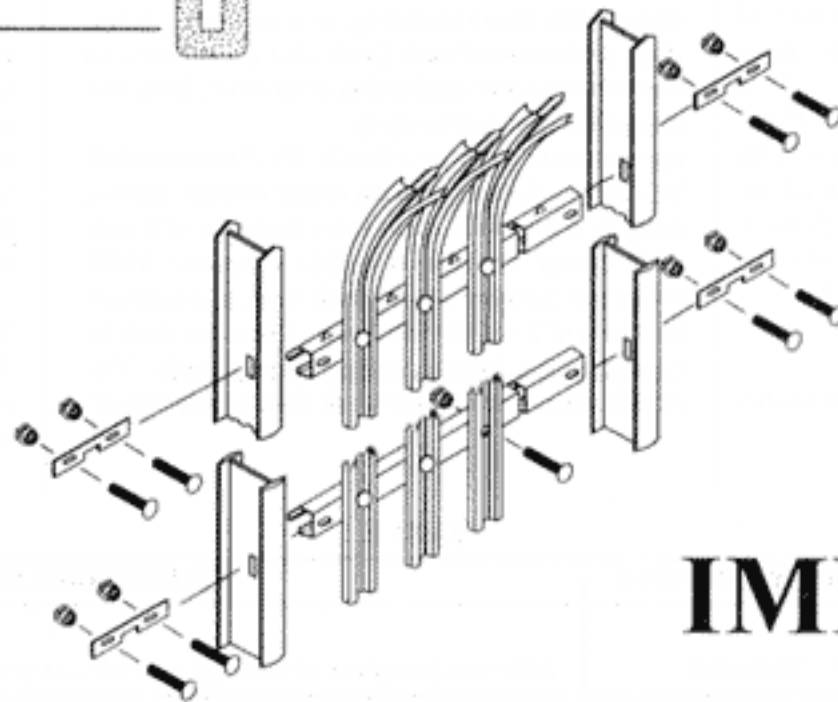


GAUNTLET 2-RAIL PANEL, 6 FT. O.C.



STANDARD HEIGHTS  
6', 7', 8', 9', 10'



**IMPASSE™**

GAUNTLET™ 2-RAIL PANEL, 6 FT. O.C.

BY: **SCN** PAGE: 1 OF 1 DATE: 12-13-02

ORDER: SCALE: **N.T.S.** CH: **PJB**

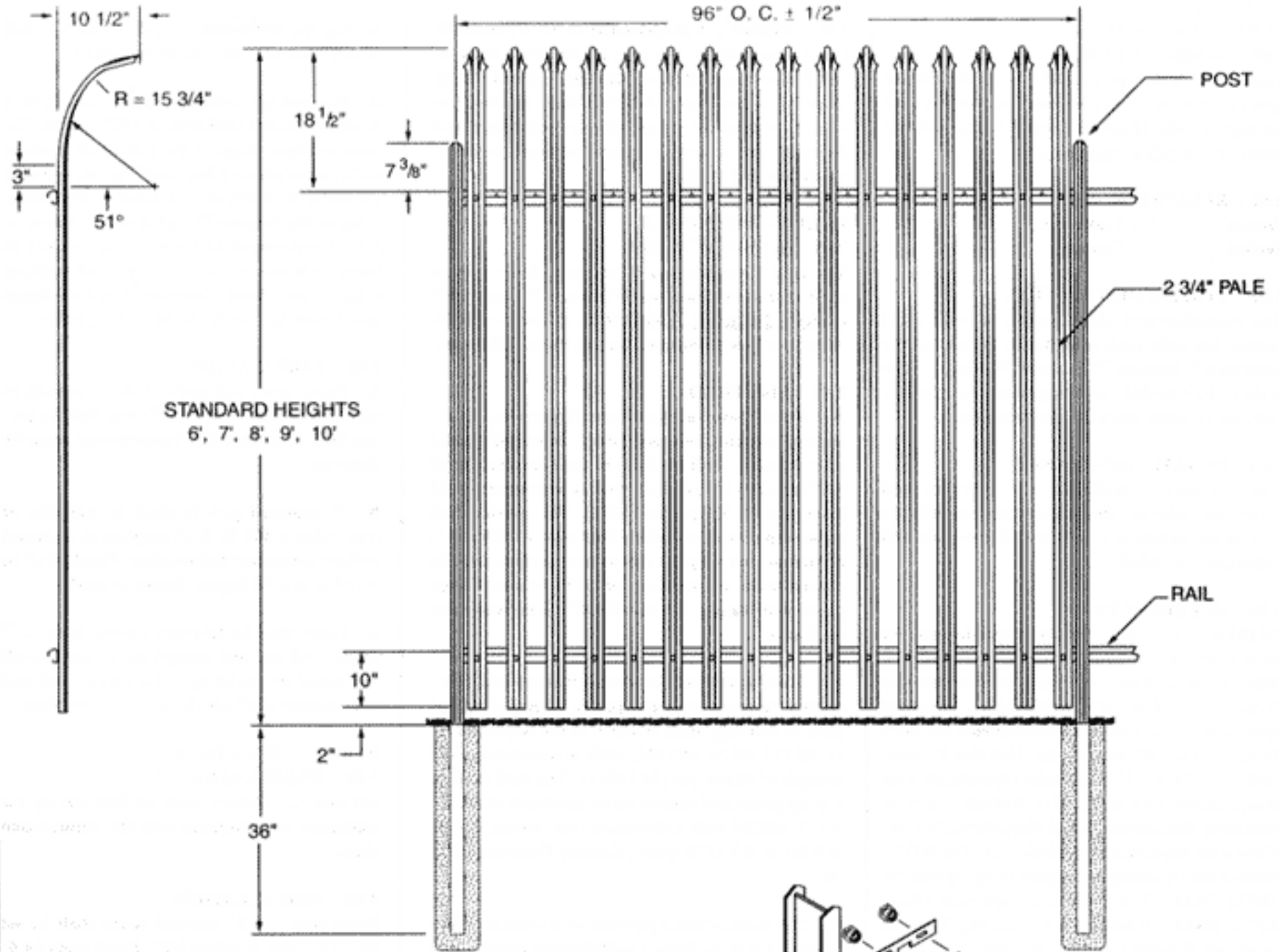


**AMERISTAR®**

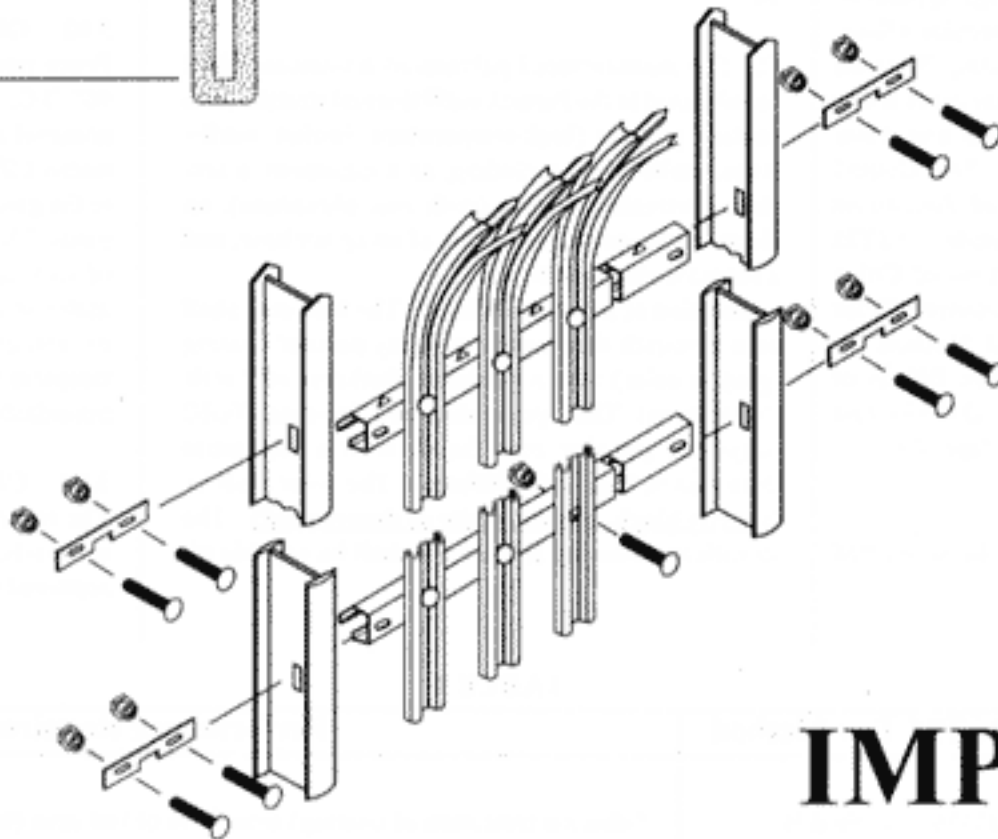
1555 N. MINGO  
TULSA, OK 74116  
1-800-321-8724

[www.ameristarfence.com](http://www.ameristarfence.com)

GAUNTLET 2-RAIL PANEL, 8 FT. O.C.



STANDARD HEIGHTS  
6', 7', 8', 9', 10'



**IMPASSE™**

GAUNTLET™ 2-RAIL PANEL, 8 FT. O.C.

BY: **SCN** PAGE: 1 OF 1 DATE: 12-13-02

ORDER: SCALE: N.T.S. CH: PJB

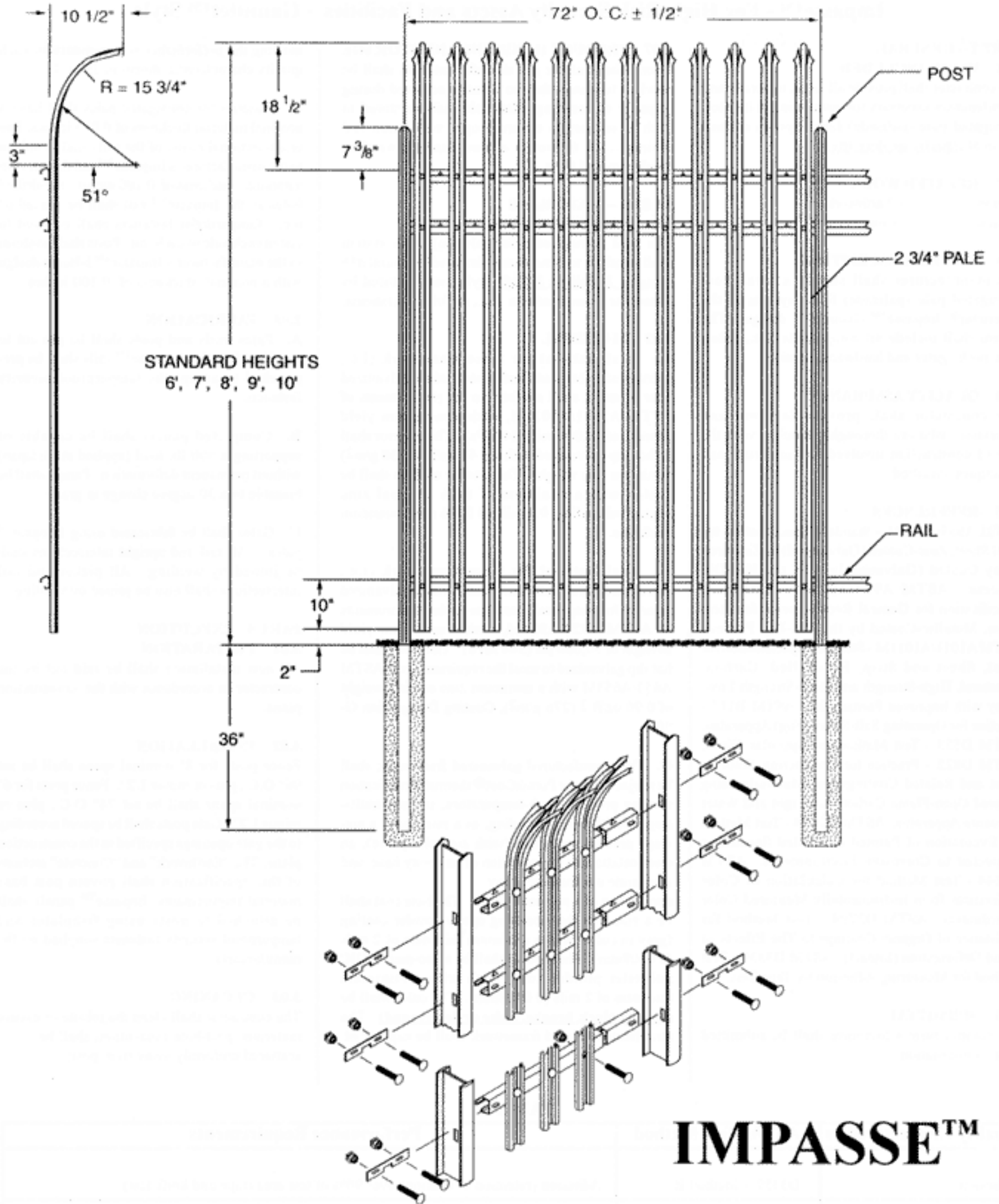


**AMERISTAR®**

1555 N. MINGO  
TULSA, OK 74116  
1-800-321-8724

[www.ameristarfence.com](http://www.ameristarfence.com)

GAUNTLET 3-RAIL PANEL, 6 FT. O.C.



STANDARD HEIGHTS  
6', 7', 8', 9', 10'

**IMPASSE™**

GAUNTLET™ 3-RAIL PANEL, 6 FT. O.C.

BY: **SCN** PAGE: 1 OF 1 DATE: 12-13-02

ORDER: SCALE: N.T.S. CH: PJB

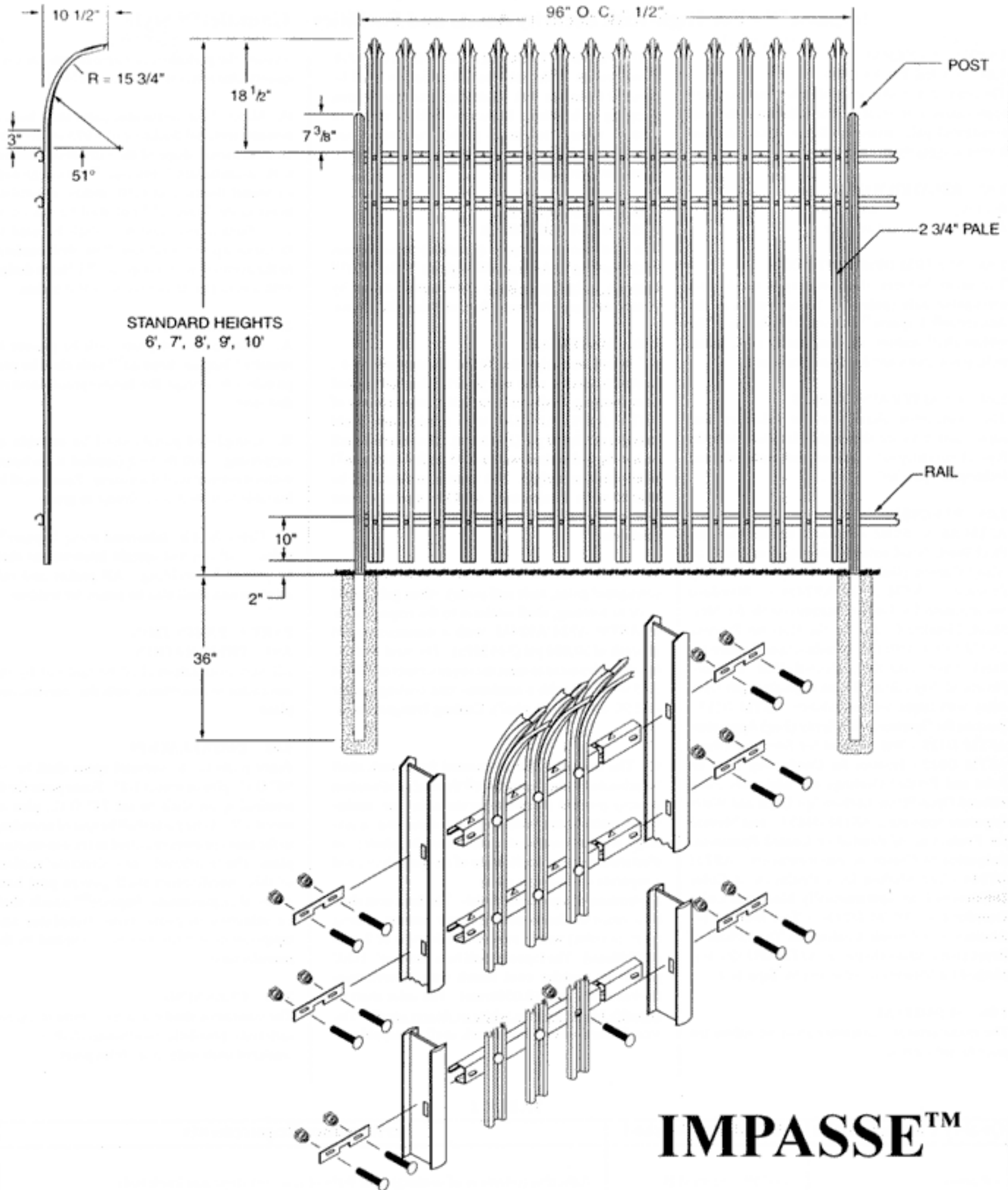


**AMERISTAR®**

1555 N. MINGO  
TULSA, OK 74116  
1-800-321-8724

[www.ameristarfence.com](http://www.ameristarfence.com)

GAUNTLET 3-RAIL PANEL, 8 FT. O.C.



**IMPASSE™**

GAUNTLET™ 3-RAIL PANEL, 8 FT. O.C.

BY: **SCN** PAGE: 1 OF 1 DATE: 12-13-02

ORDER: SCALE: N.T.S. CH: PJB



**AMERISTAR®**

1555 N. MINGO  
TULSA, OK 74116  
1-800-321-8724

www.ameristarfence.com