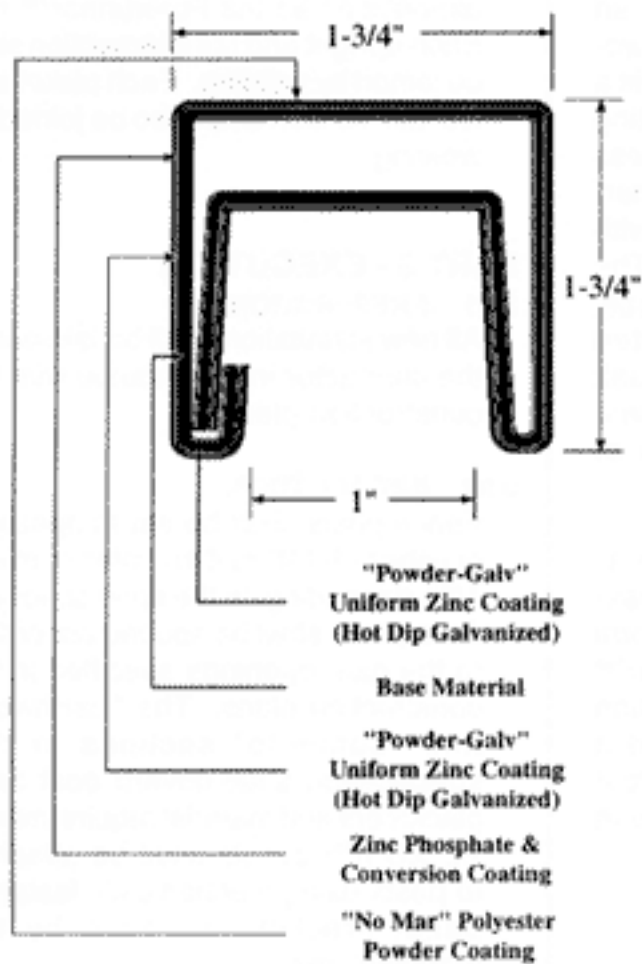
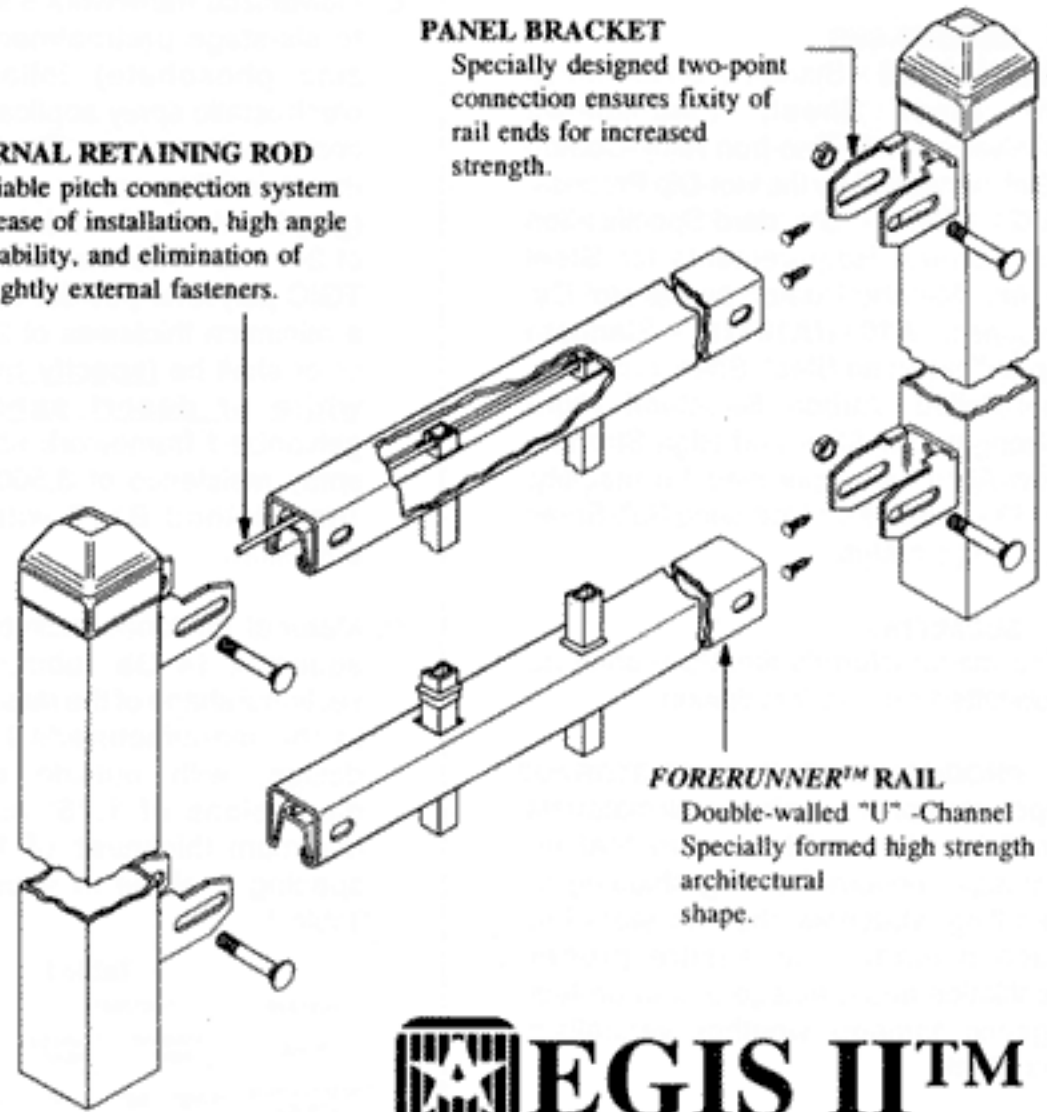


- Notes:**
1. 3" x 12 Ga. Post also available
  2. Panels also available for 6' on center post spacing
  3. Additional heights available on request




**INTERNAL RETAINING ROD**  
Variable pitch connection system for ease of installation, high angle biasability, and elimination of unsightly external fasteners.

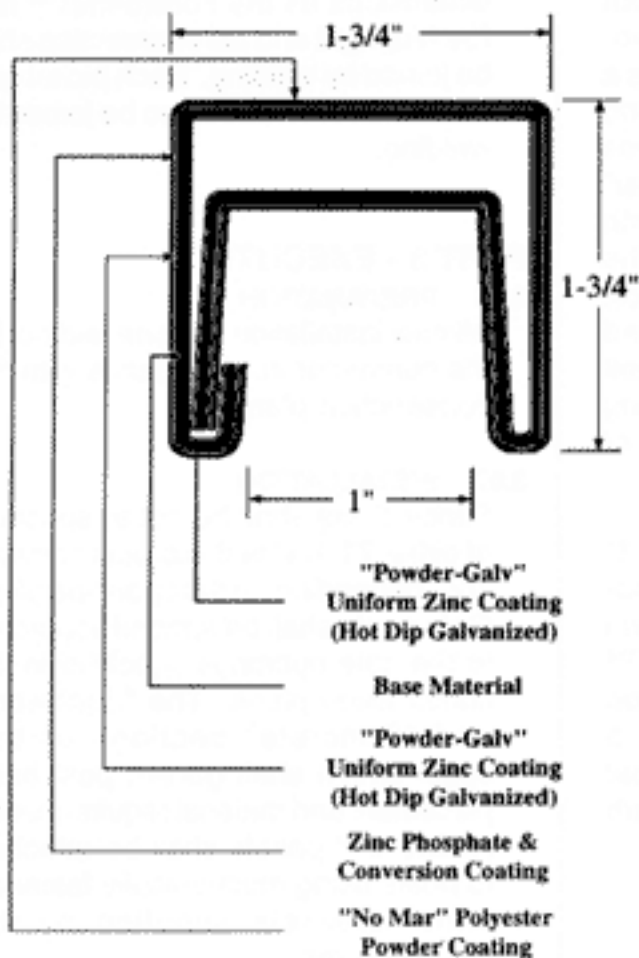
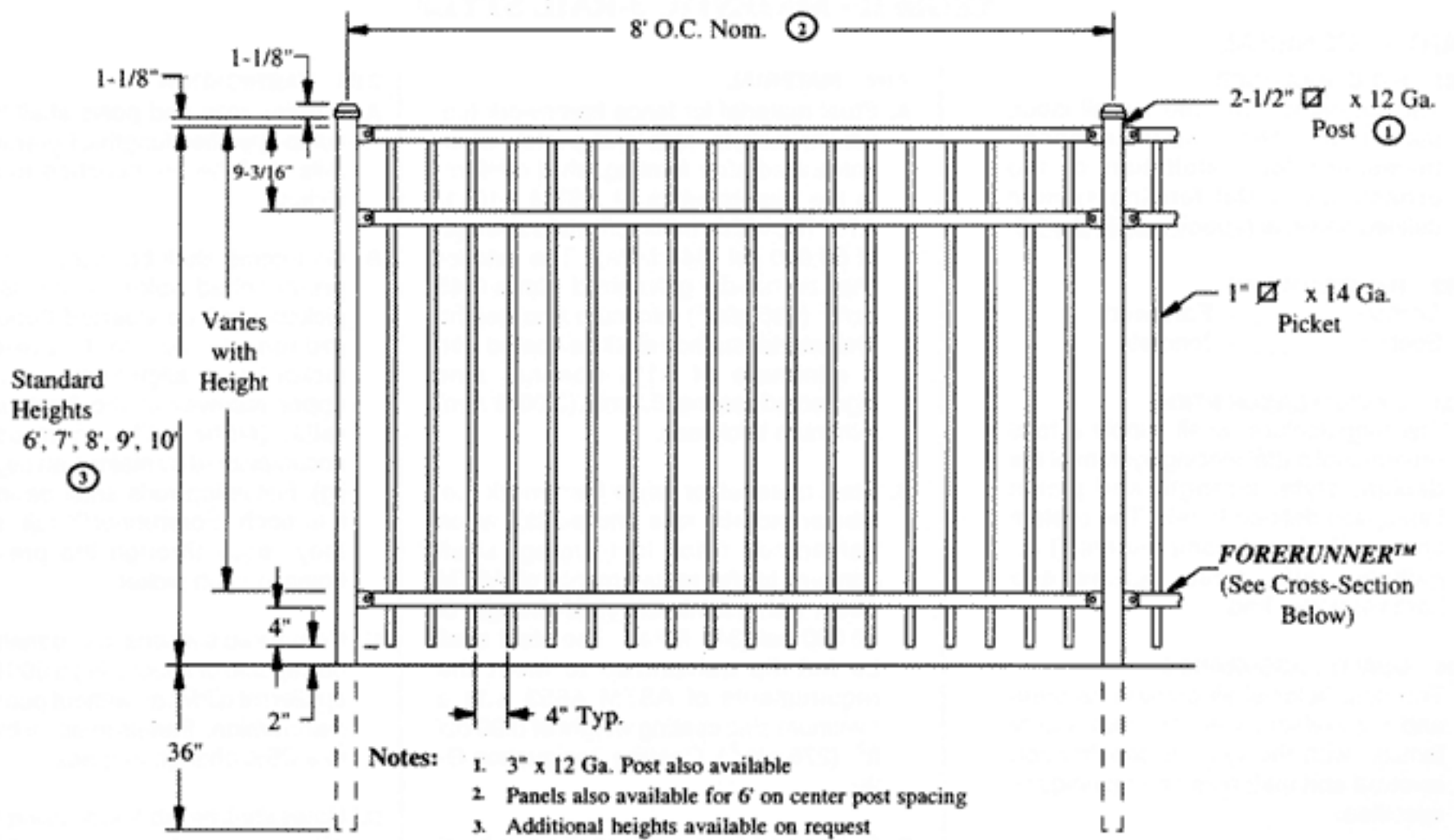
**PANEL BRACKET**  
Specially designed two-point connection ensures fixity of rail ends for increased strength.



**FORERUNNER™ RAIL**  
Double-walled "U" -Channel  
Specially formed high strength architectural shape.



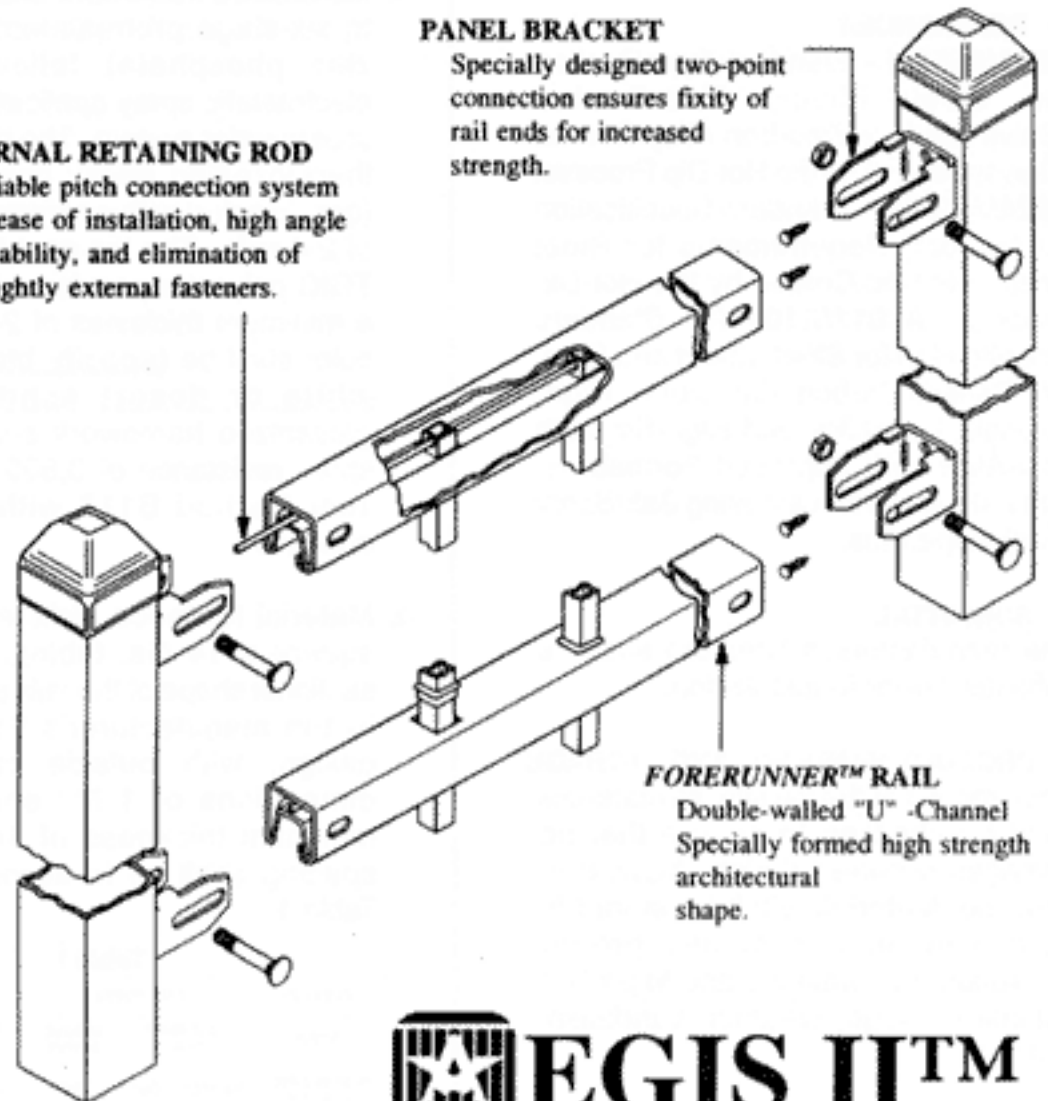
<b>MAJESTIC 2-RAIL</b>			 <b>AMERISTAR®</b>	1555 N. MINGO TULSA, OK 74116 1-800-321-8724 www.ameristarfence.net
BY: <b>SCN</b>	PAGE: 1 OF 1	DATE: 1-1-94		
ORDER:	SCALE: N.T.S.	CH: <b>PJB</b>		



**INTERNAL RETAINING ROD**  
Variable pitch connection system for ease of installation, high angle biasability, and elimination of unsightly external fasteners.

**PANEL BRACKET**

Specially designed two-point connection ensures fixity of rail ends for increased strength.

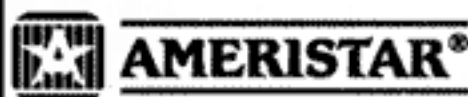


**AMERISTAR** EGIS II™

**MAJESTIC 3-RAIL**

BY: **SCN** PAGE: 1 OF 1 DATE: 1-1-94

ORDER: SCALE: N.T.S. CH: **PJB**



1555 N. MINGO  
TULSA, OK 74116  
1-800-321-8724

www.ameristarfence.net