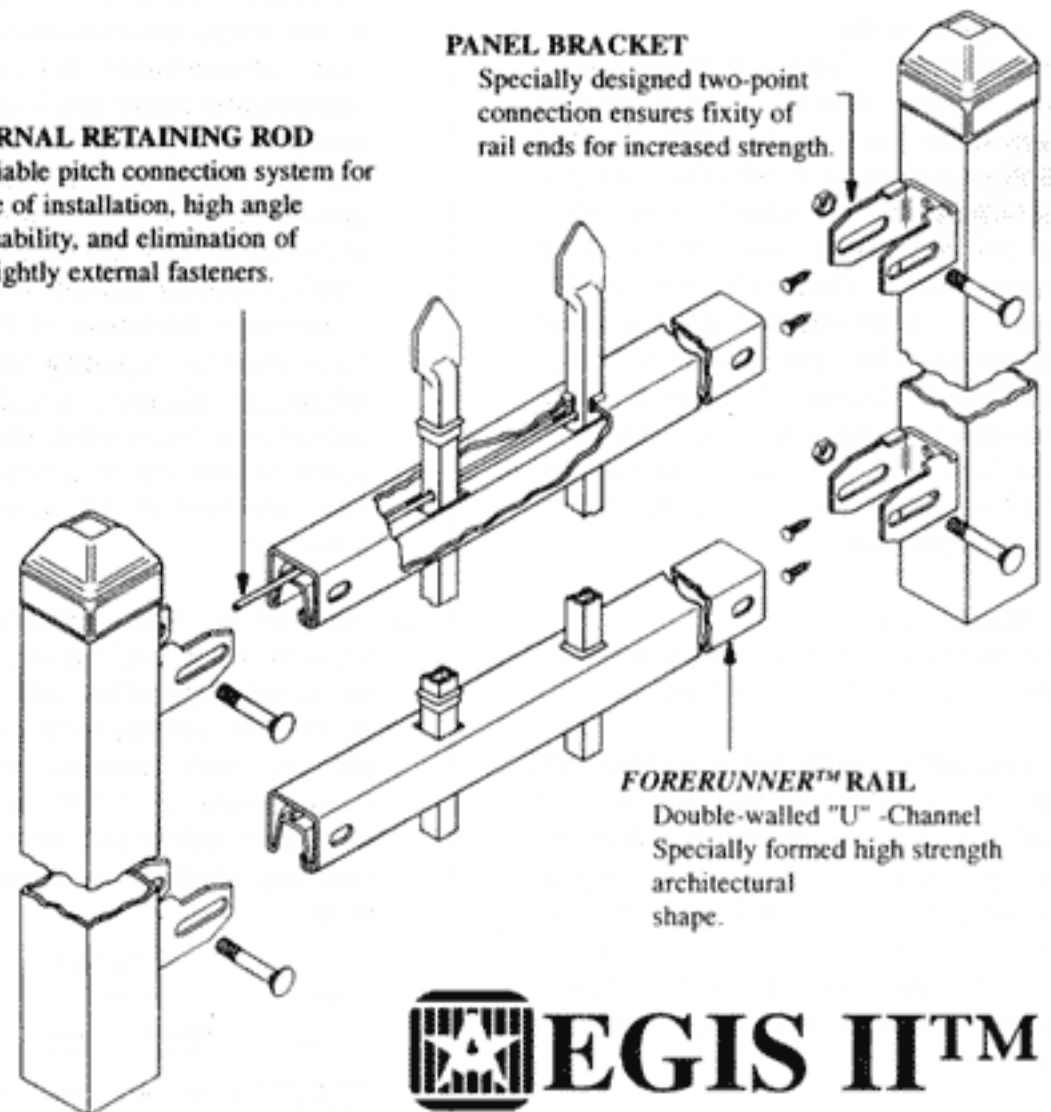


INTERNAL RETAINING ROD
Variable pitch connection system for ease of installation, high angle biasability, and elimination of unsightly external fasteners.

PANEL BRACKET
Specially designed two-point connection ensures fixity of rail ends for increased strength.



EGIS II™

CLASSIC 2-RAIL

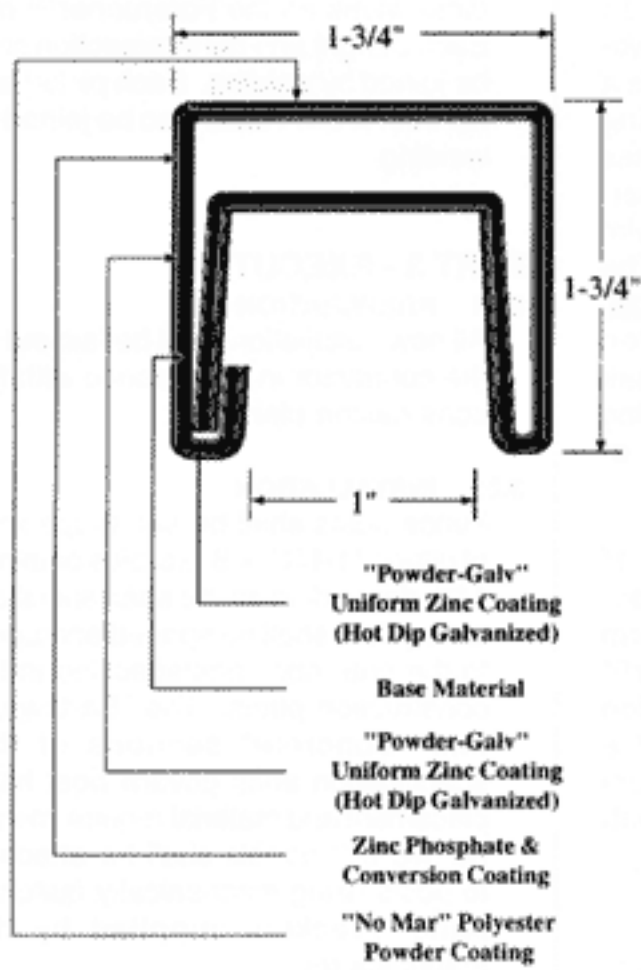
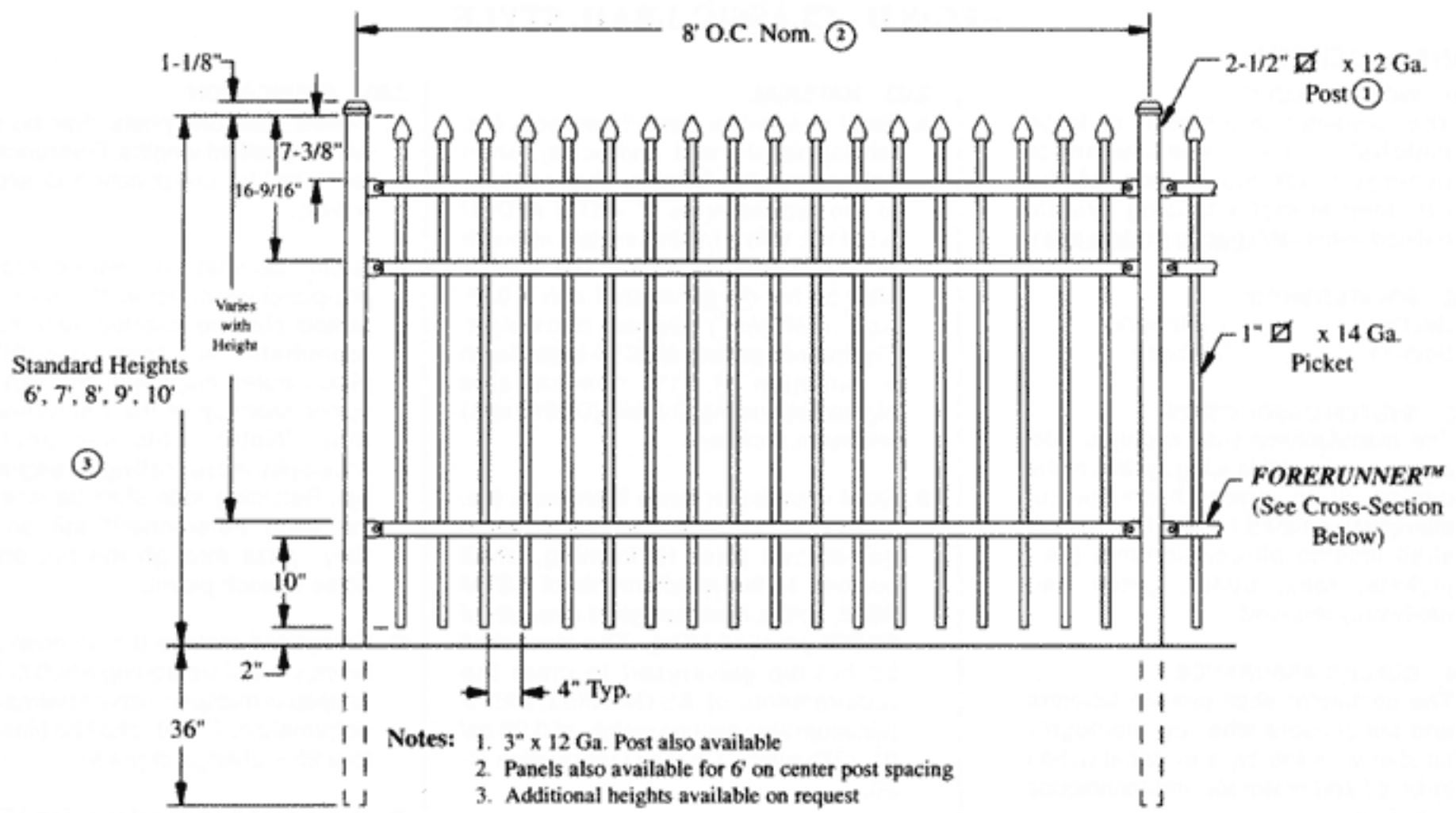
BY: SCN	PAGE: 1 OF 1	DATE: 1-1-94
ORDER:	SCALE: N.T.S.	CH: PJB



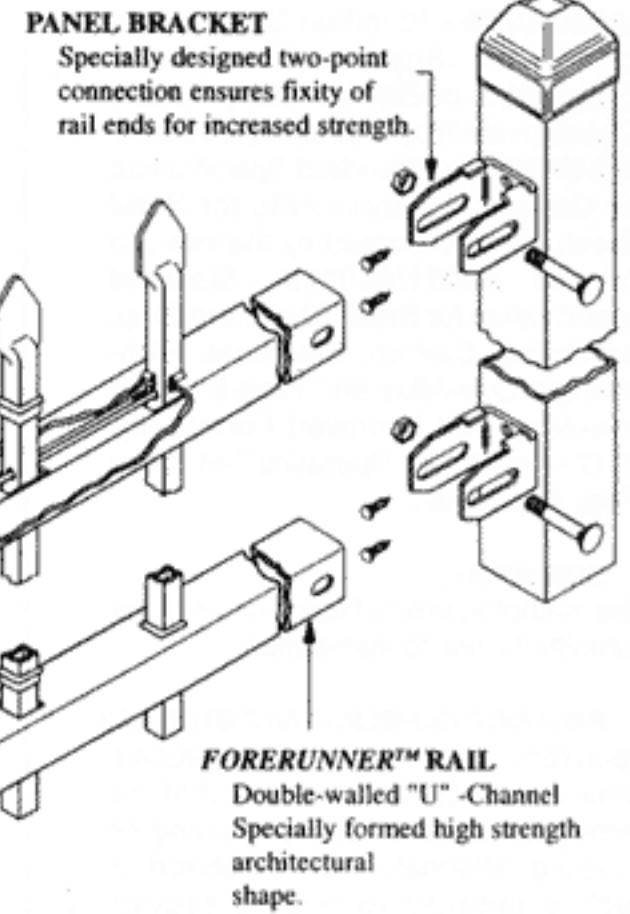
AMERISTAR®

1555 N. MINGO
TULSA, OK 74116
1-800-321-8724


www.ameristarfence.net



INTERNAL RETAINING ROD
Variable pitch connection system for ease of installation, high angle biasability, and elimination of unsightly external fasteners.



EGIS II™

CLASSIC 3-RAIL				AMERISTAR®	1555 N. MINGO
BY: SCN	PAGE: 1 OF 1	DATE: 1-1-94			TULSA, OK 74116
ORDER:	SCALE: N.T.S.	CH: PJB			1-800-321-8724
					www.ameristarfence.net